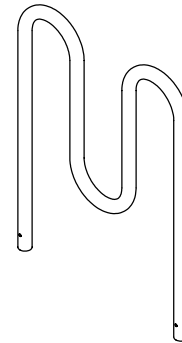
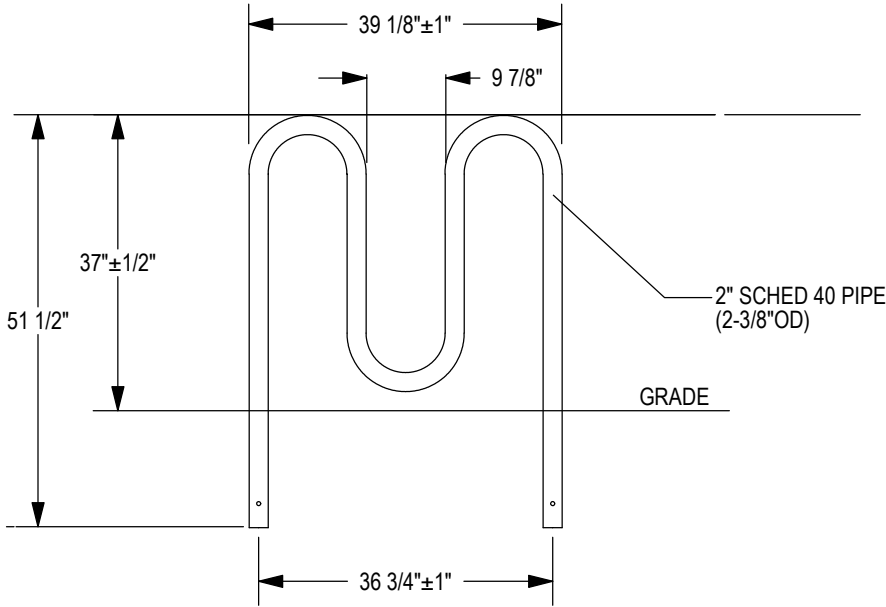




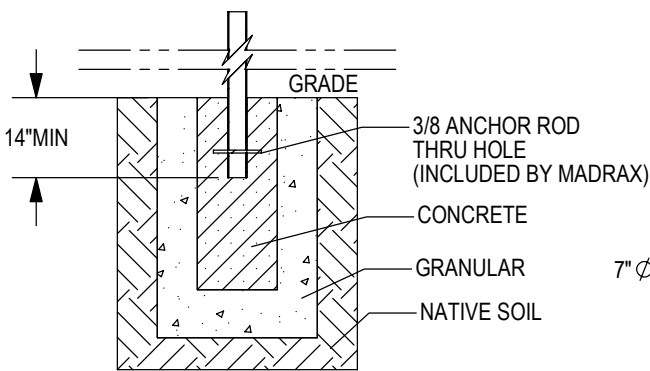
TRILARY, INC.  
 2210 PINEHURST DRIVE  
 MIDDLETON, WI 53562  
 P(800) 448-7931, P(608) 831-9040, F(608) 831-7623  
 WWW.MADRAX.COM, E-MAIL: SALES@MADRAX.COM



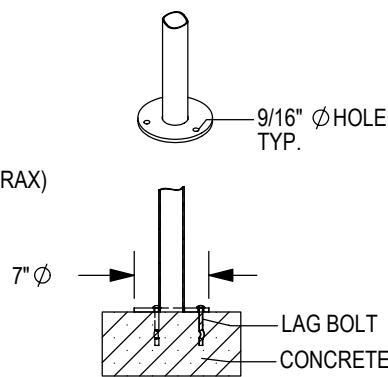
ELEVATION VIEW

3 LOOP - 5 BIKE CAPACITY

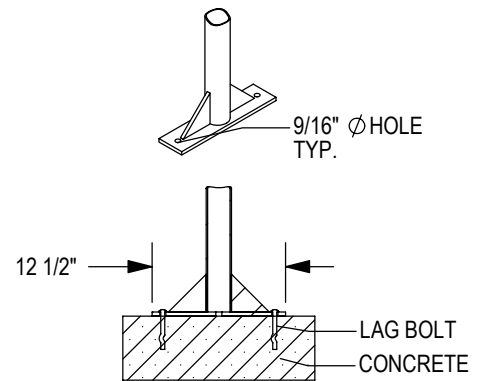
CHECK DESIRED MOUNT □



□ IN GROUND MOUNT (IG)



□ SURFACE FLANGE MOUNT (SF)



□ SURFACE GUSSET MOUNT (SG)

SECTION VIEWS

PRODUCT: H36-5-IG(SF,SG)  
 DESCRIPTION: HEAVY DUTY CHALLENGER BIKE RACK  
 5 BIKE, SURFACE OR IN GROUND MOUNT

DATE: 8-5-02  
 ENG: TLG

NOTES:

1. INSTALL BIKE RACKS ACCORDING TO MANUFACTURER'S SPECIFICATIONS.
2. CONSULTANT TO SELECT COLOR(FINISH), SEE MANUFACTURER'S SPECIFICATIONS.
3. SEE SITE PLAN FOR LOCATION OR CONSULT OWNER.
4. SPECIFICATIONS ARE SUBJECT TO CHANGE WITHOUT NOTICE.

CONFIDENTIAL DRAWING AND INFORMATION IS NOT TO BE COPIED OR DISCLOSED TO OTHERS WITHOUT THE CONSENT OF TRILARY, INC. . . SPECIFICATIONS ARE SUBJECT TO CHANGE WITHOUT NOTICE.